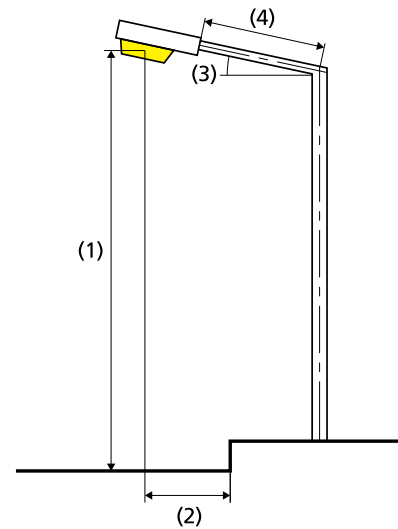
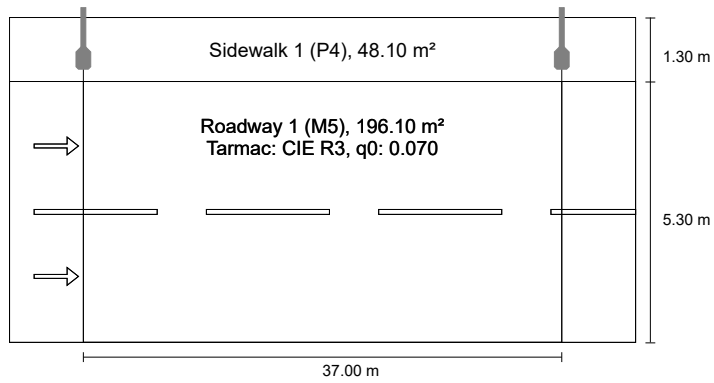


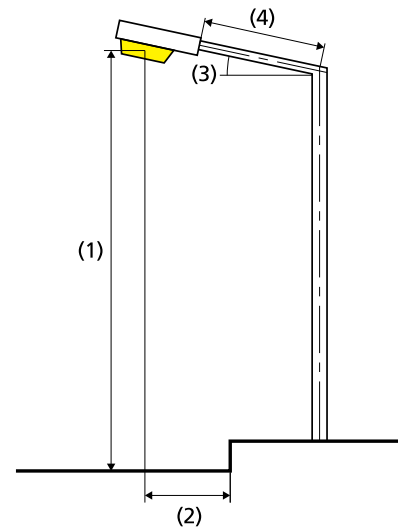
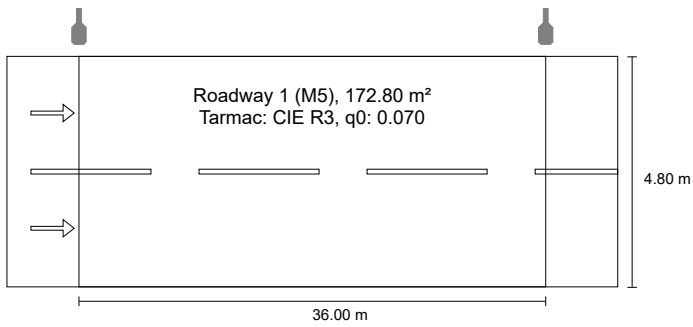
Pasaciņas/Veidenbauma/Cieceres ielas according to EN 13201:2015



Results for valuation fields
Maintenance factor: 0.80

Arrangement:	single side top
Pole distance:	37.000 m
Boom inclination (3):	0.0°
Boom length (4):	1.000 m
Light centre height (1):	8.000 m
Light overhang (2):	-0.500 m

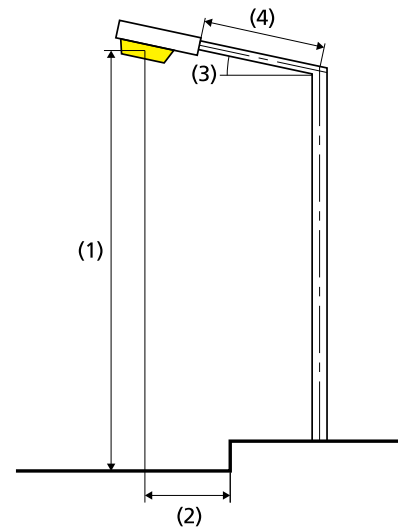
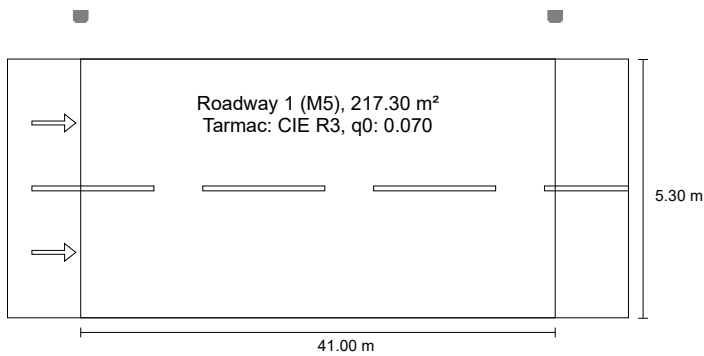
Ziemeļu/Aspazijas ielas according to EN 13201:2015



Results for valuation fields
Maintenance factor: 0.80

Arrangement:	single side top
Pole distance:	36.000 m
Boom inclination (3):	5.0°
Boom length (4):	1.000 m
Light centre height (1):	8.000 m
Light overhang (2):	-0.500 m

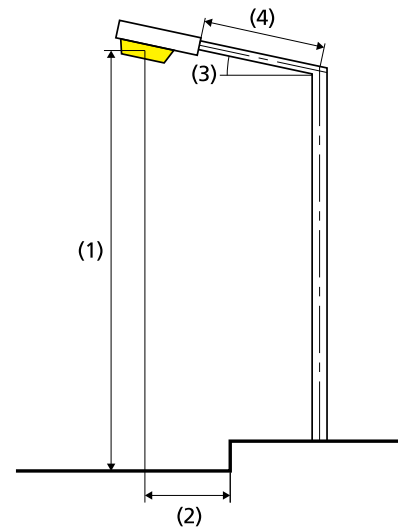
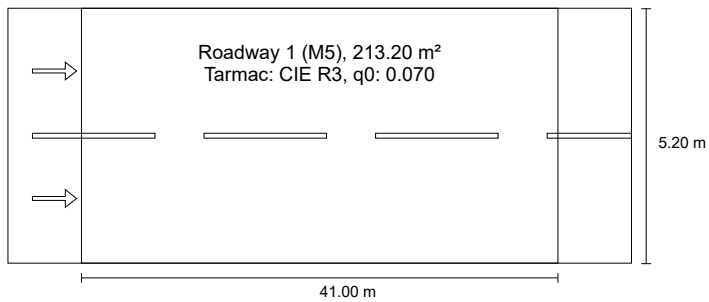
Līkā iela according to EN 13201:2015



Results for valuation fields
Maintenance factor: 0.80

Arrangement:	single side top
Pole distance:	41.000 m
Boom inclination (3):	5.0°
Boom length (4):	1.000 m
Light centre height (1):	8.000 m
Light overhang (2):	-1.000 m

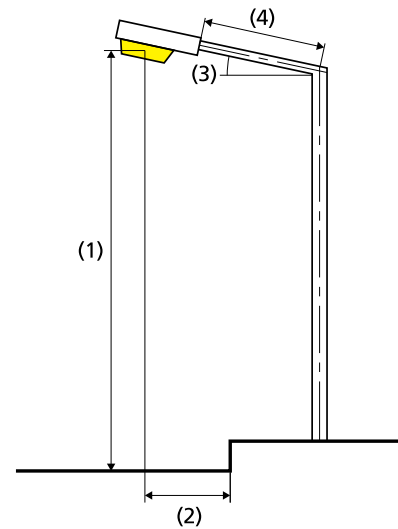
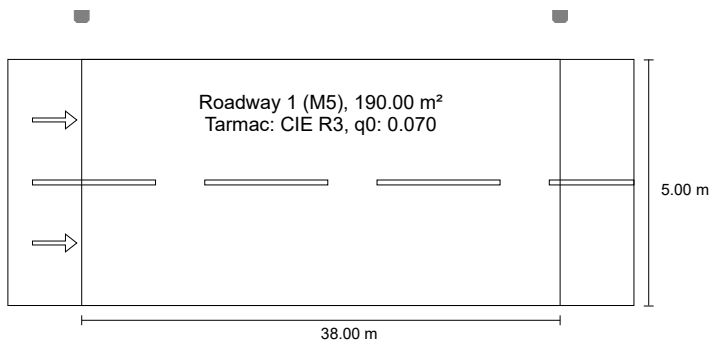
Ezera iela according to EN 13201:2015



Results for valuation fields
Maintenance factor: 0.80

Arrangement:	single side top
Pole distance:	41.000 m
Boom inclination (3):	5.0°
Boom length (4):	1.000 m
Light centre height (1):	8.000 m
Light overhang (2):	-1.500 m

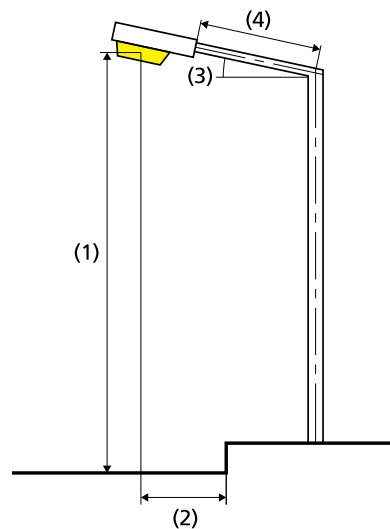
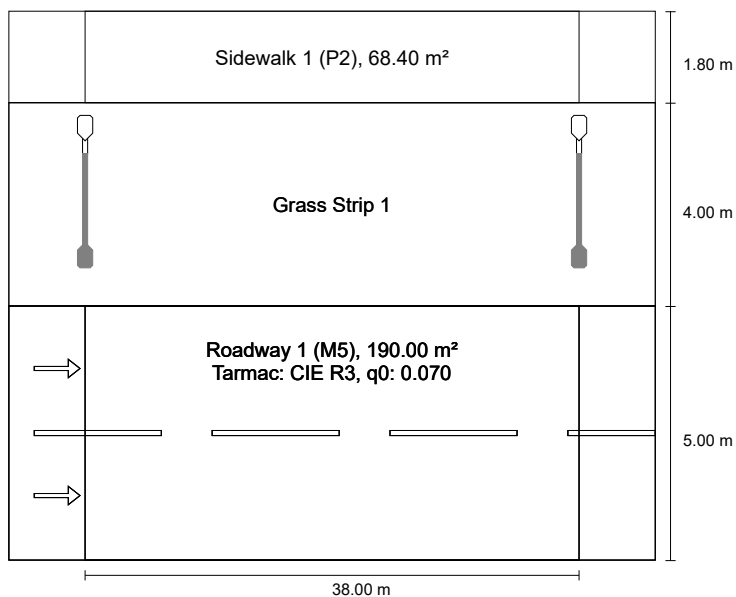
Bērzu iela according to EN 13201:2015



Results for valuation fields
Maintenance factor: 0.80

Arrangement:	single side top
Pole distance:	38.000 m
Boom inclination (3):	5.0°
Boom length (4):	2.000 m
Light centre height (1):	8.000 m
Light overhang (2):	-1.000 m

Kalnšētas iela according to EN 13201:2015



The pole distance of this luminaire arrangement determines the length of the valuation fields.

Results for valuation fields
Maintenance factor: 0.80

Arrangement:	single side top
Pole distance:	38.000 m
Boom inclination (3):	5.0°
Boom length (4):	2.000 m
Light centre height (1):	8.000 m
Light overhang (2):	-1.000 m

Arrangement:	single side top
Pole distance:	38.000 m
Boom inclination (3):	0.0°
Boom length (4):	0.500 m
Light centre height (1):	8.000 m
Light overhang (2):	-2.500 m